

CUT, WELD AND INSTALL DOOR SEALINGS QUICKLY
IN YOUR OWN WORKSHOP

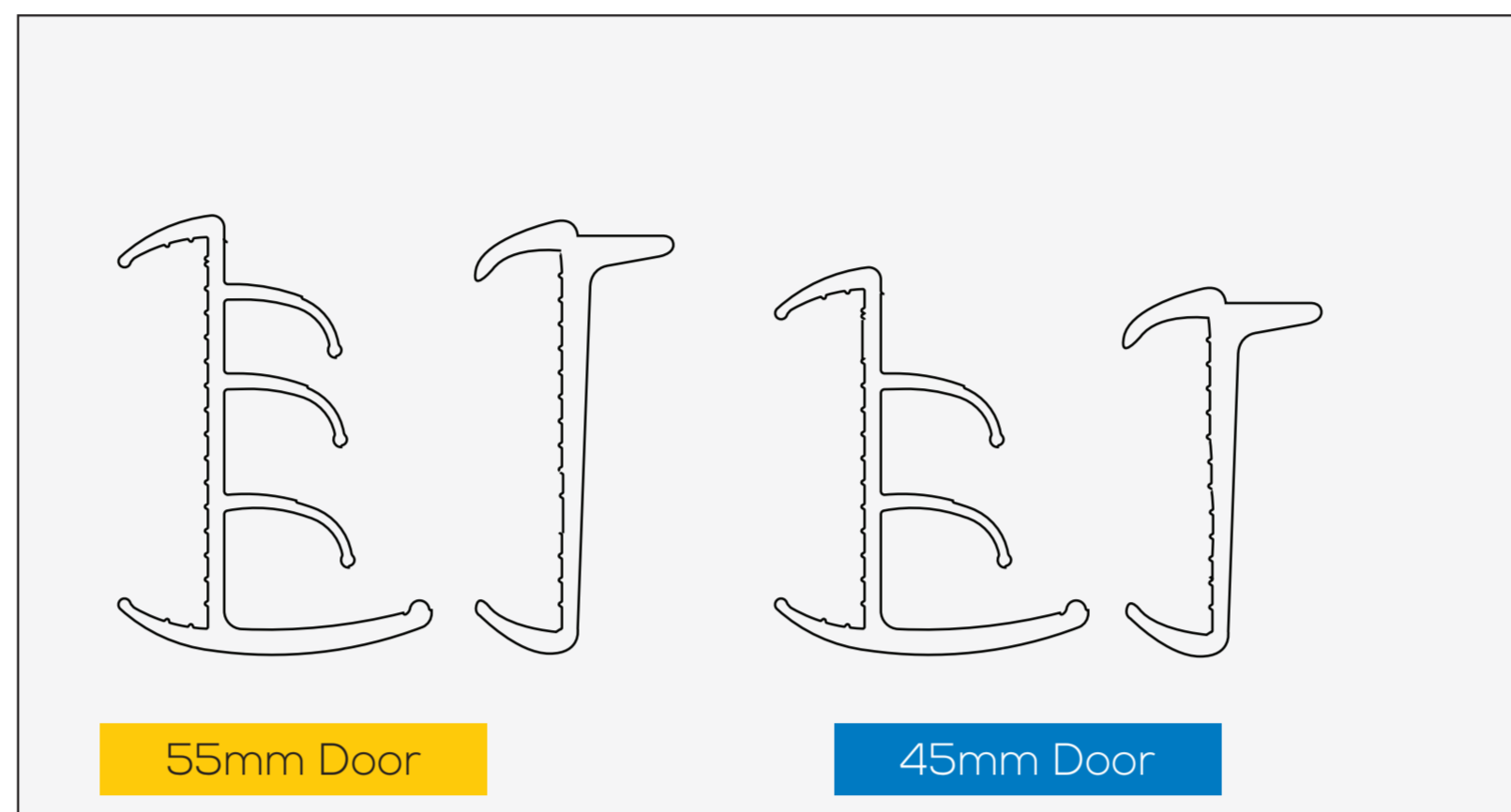
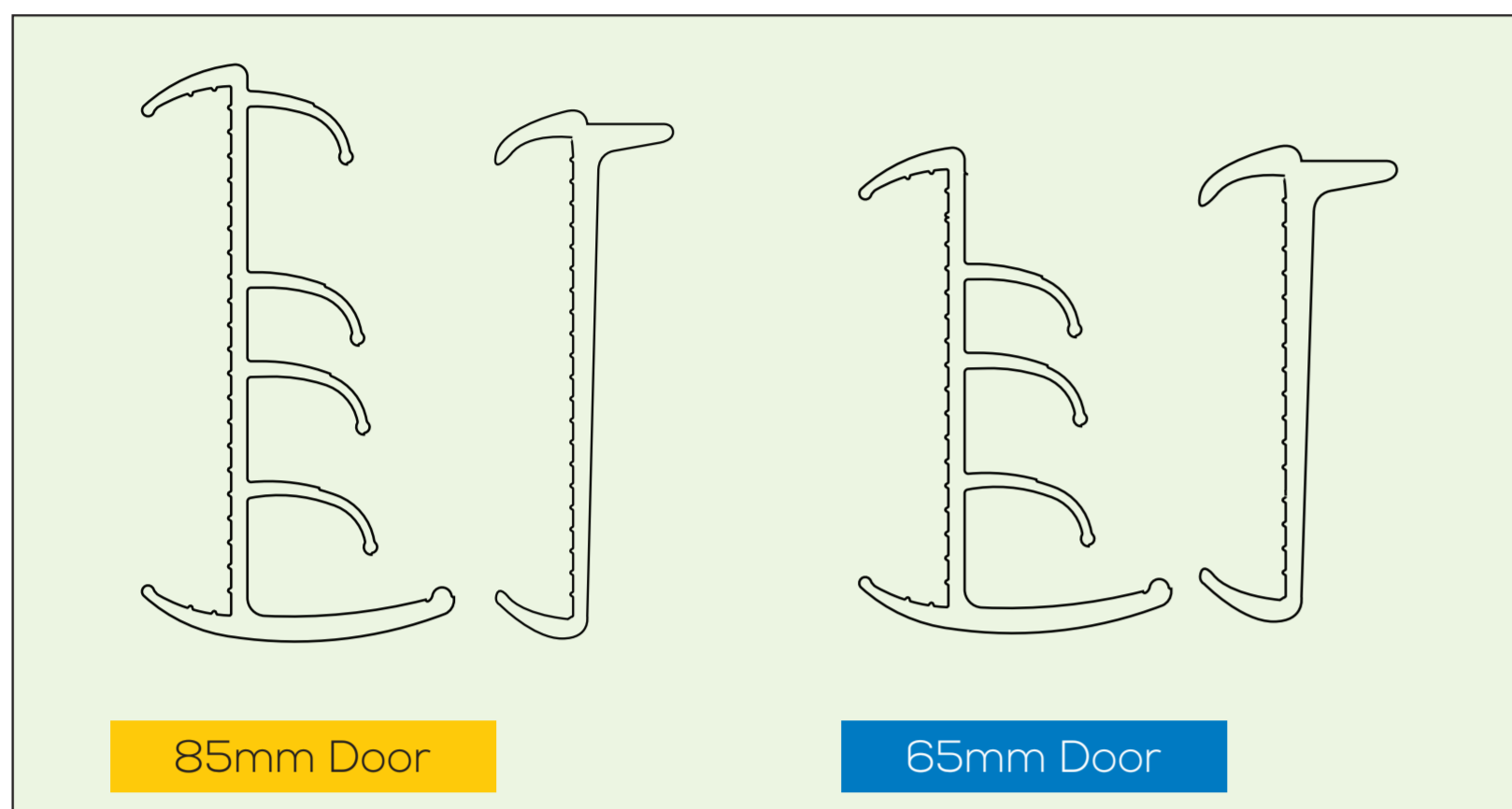


QUICK AND EASY: MAKE YOUR OWN DOOR SEALINGS!

FIVE EASY STEPS

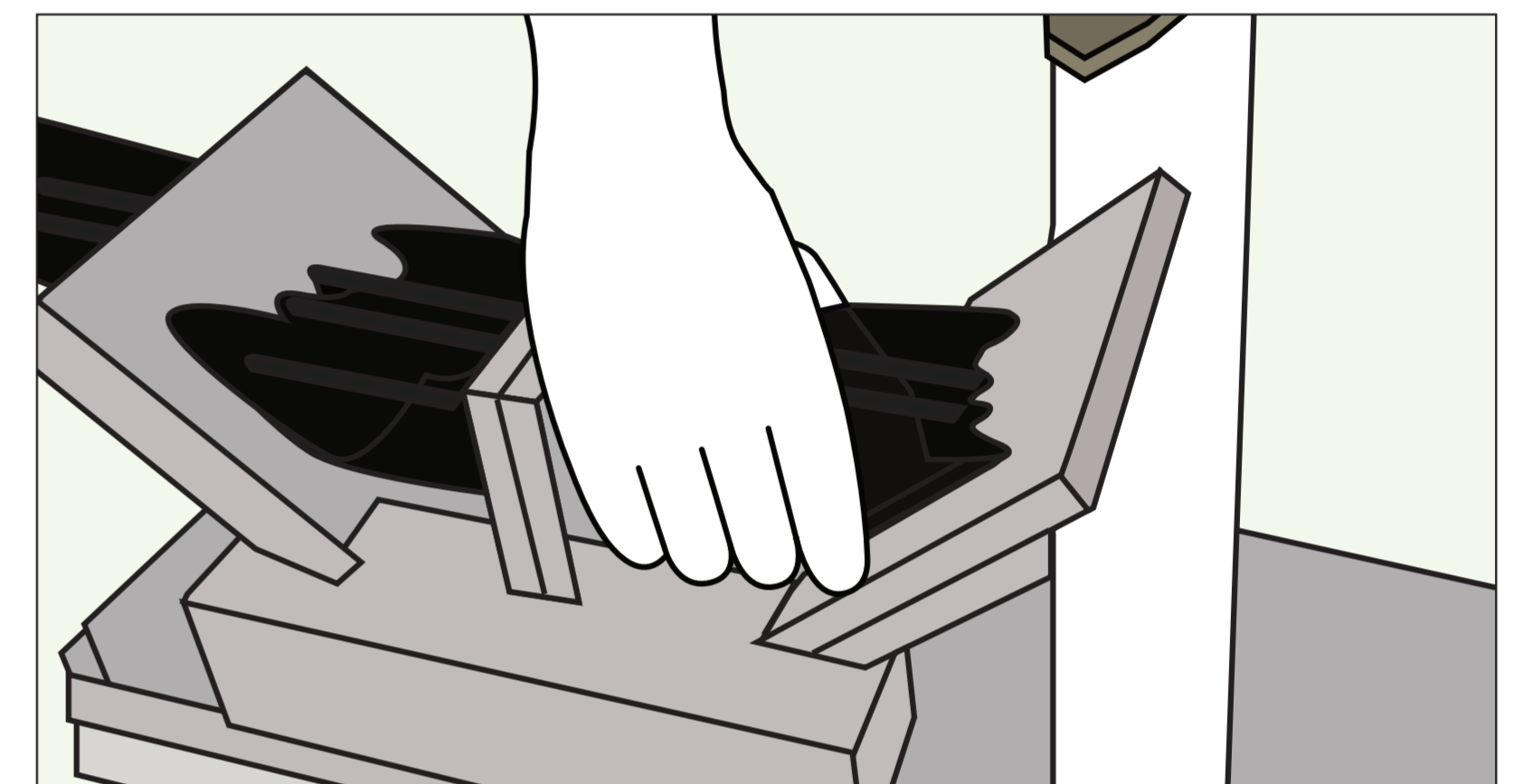
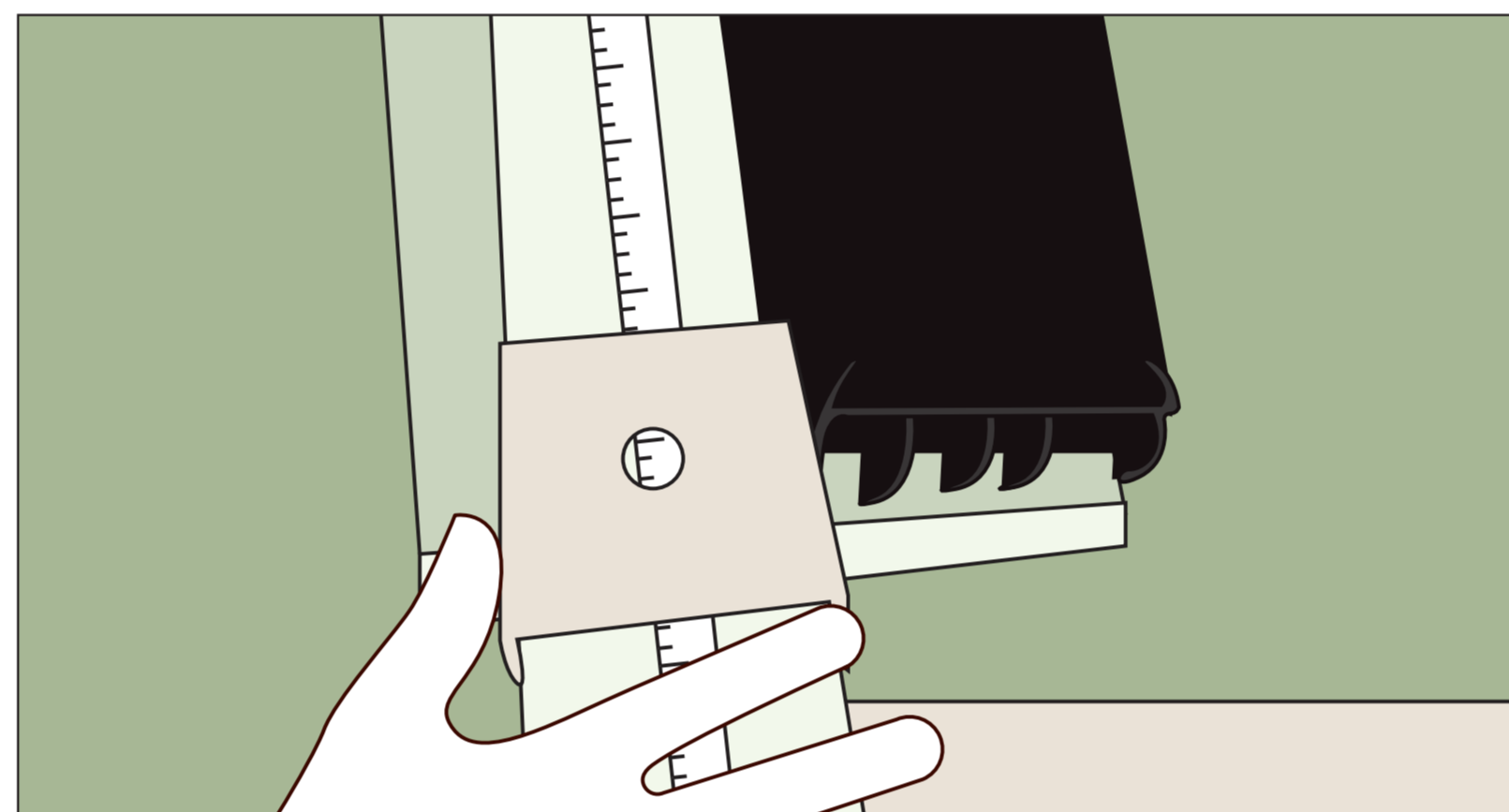
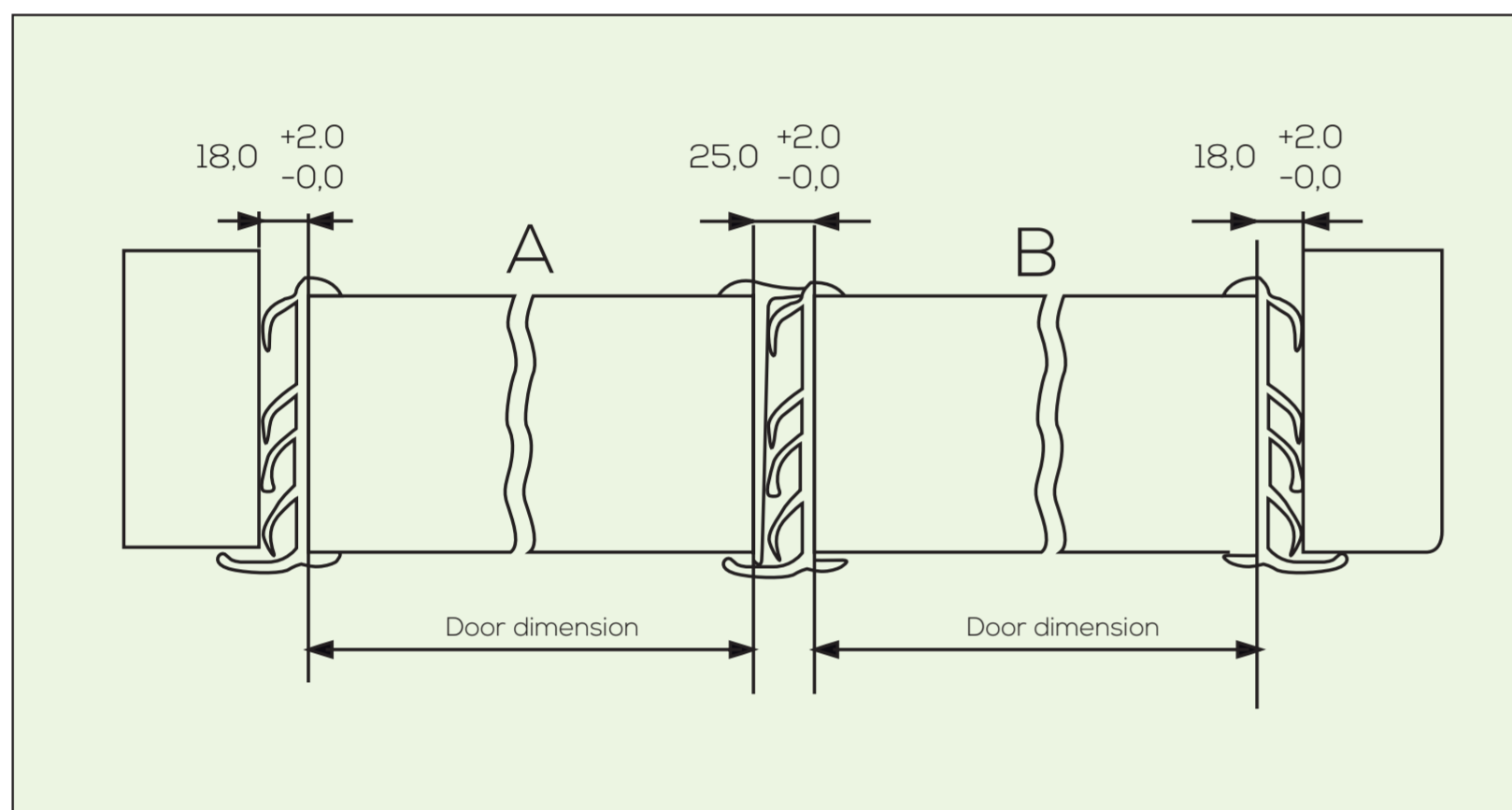
1 SELECT YOUR SEALING PROFILE

Choose from our large range of sealing profiles with dimensions and properties



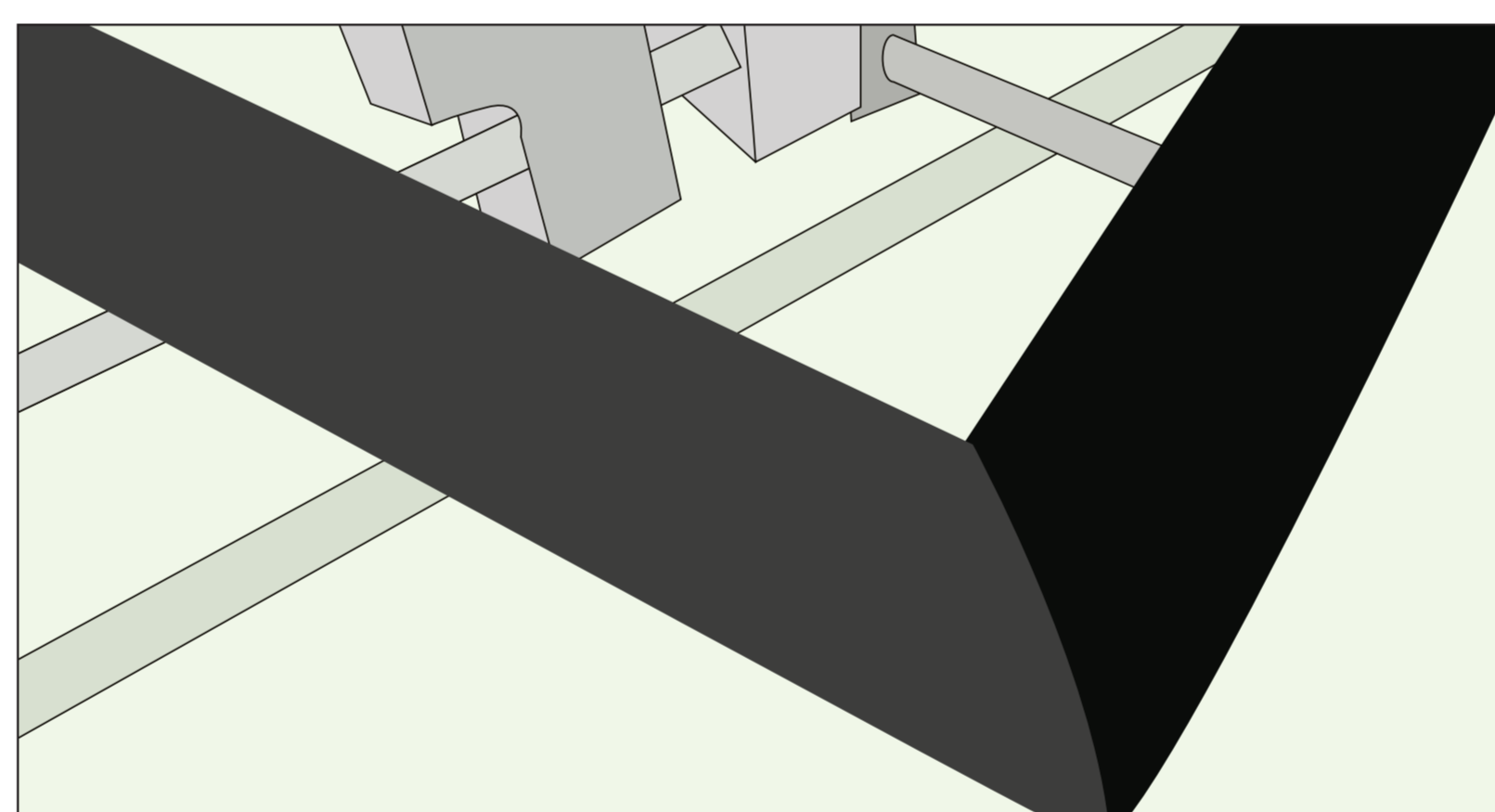
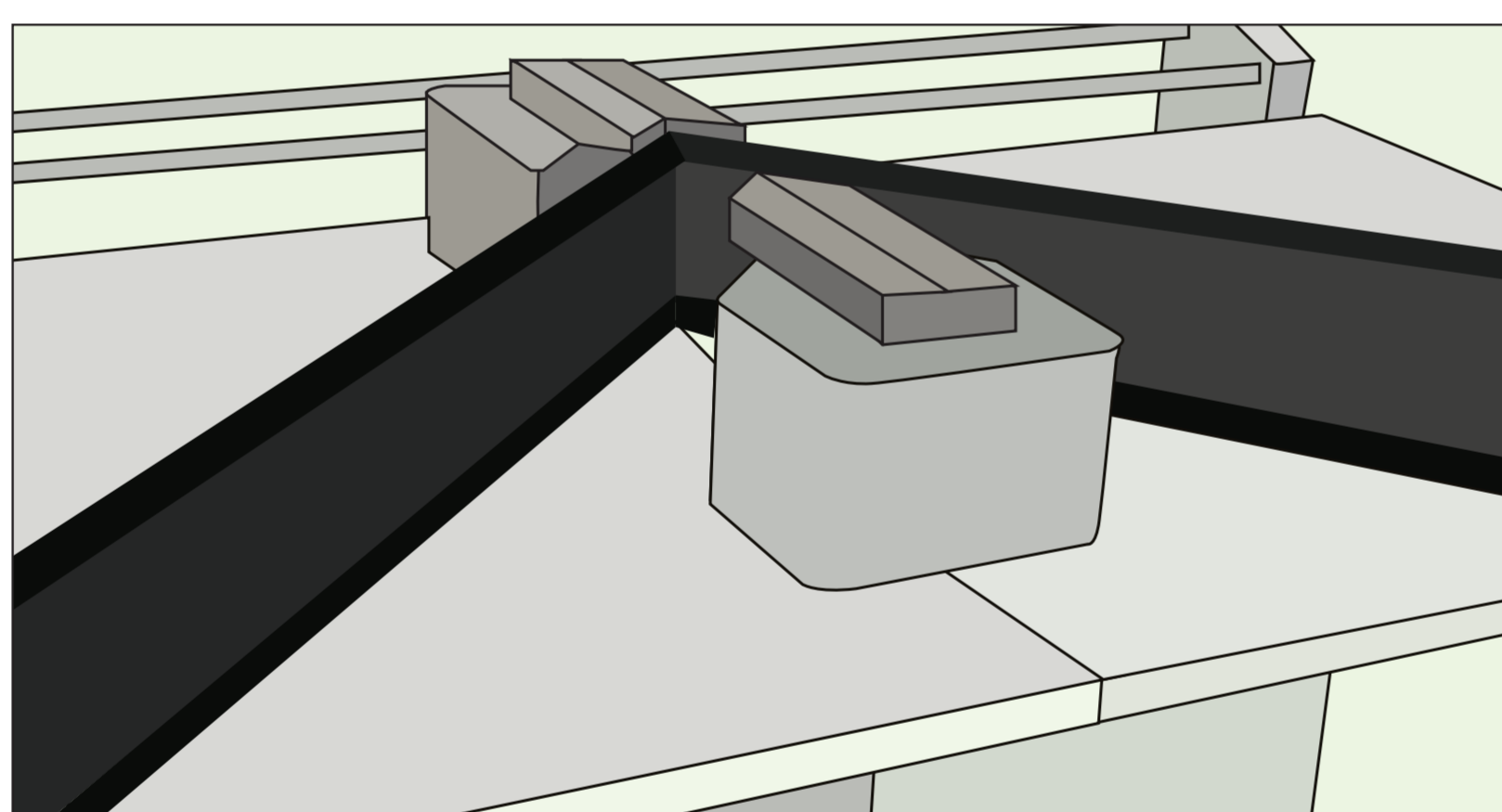
2 TRIM TO SIZE

Trim profile length precisely and quickly with the welding unit



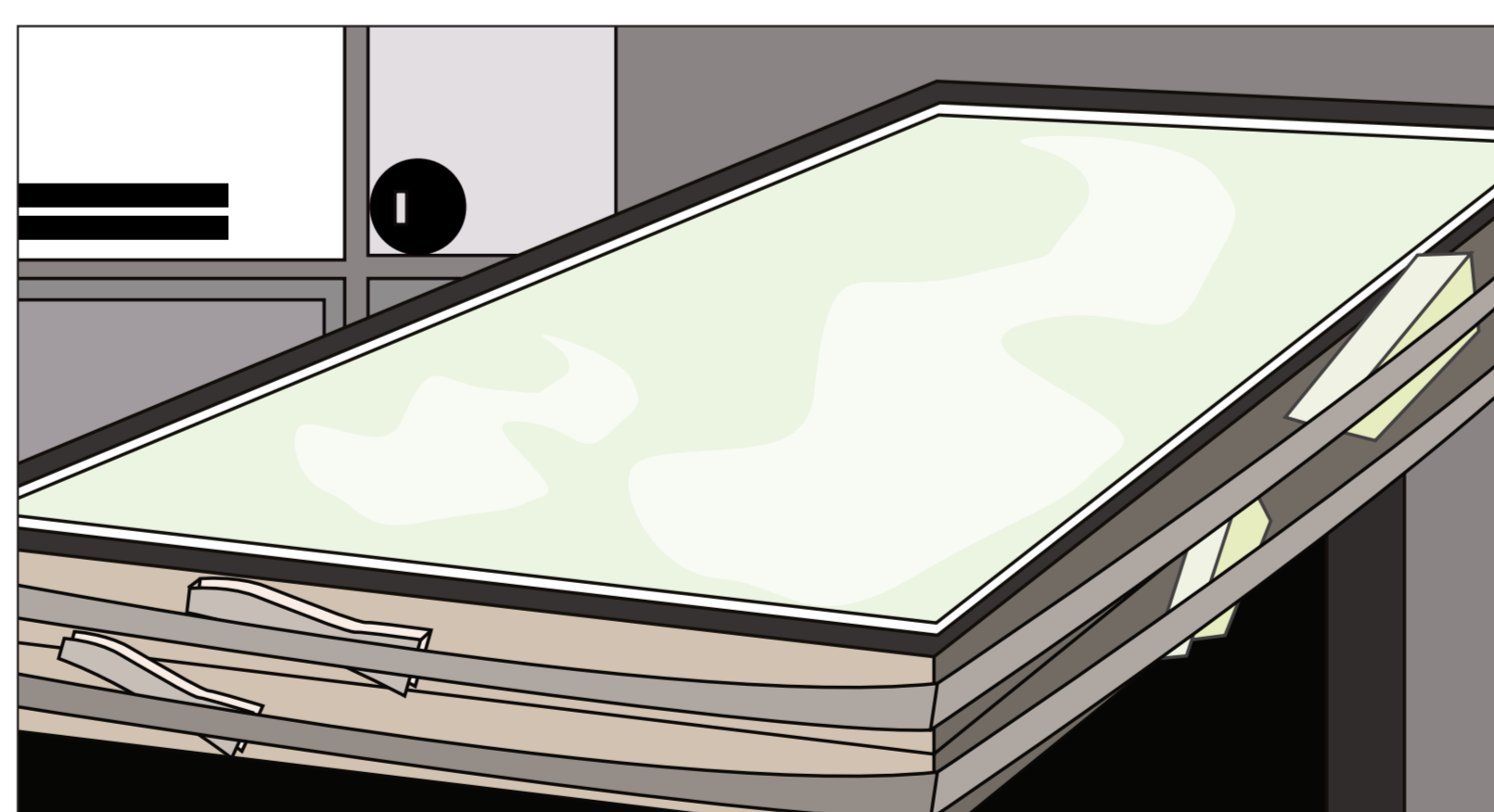
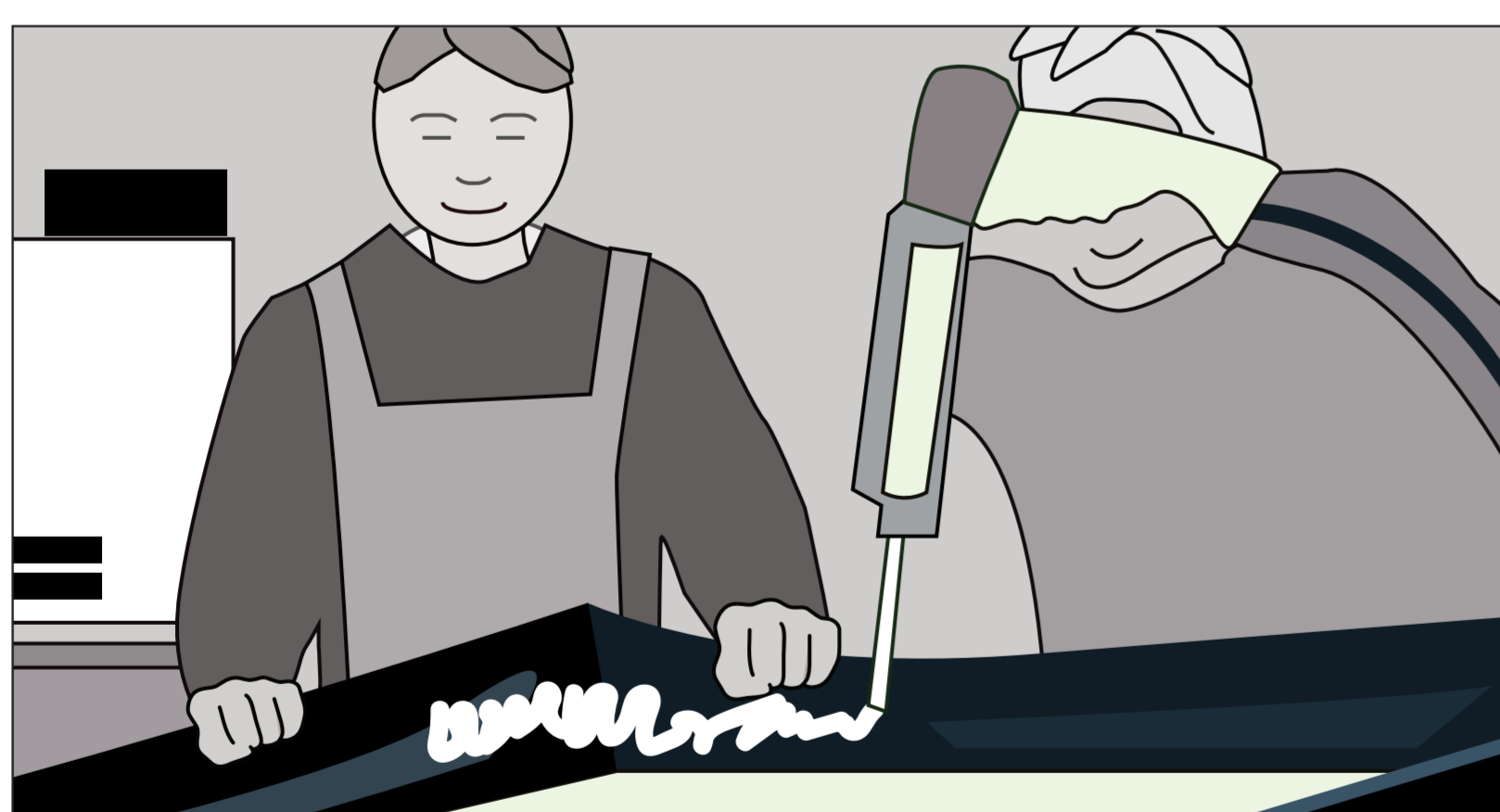
3 WELD CORNERS

Weld trimmed corners



4 TRIM WELDED PROFILE

Trim the finished profile and fit to trailer



5 FIT TO TRAILER

100 % tight fit and easy opening without build-up of ice

